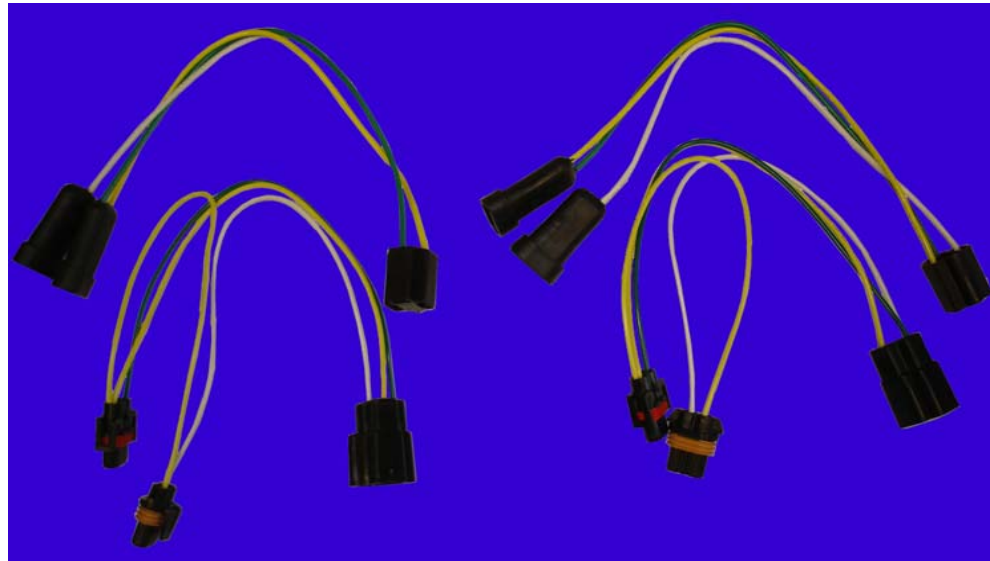
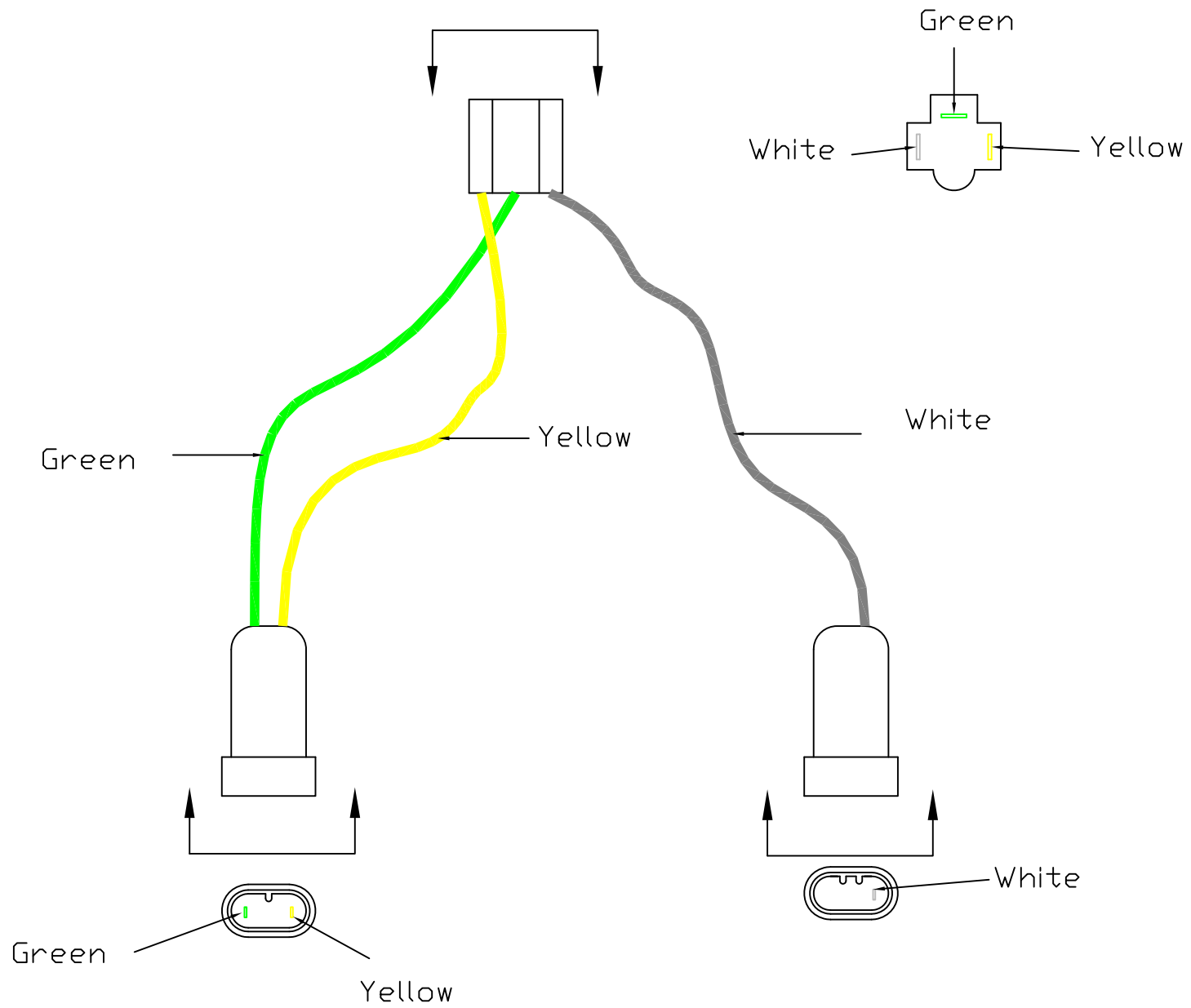
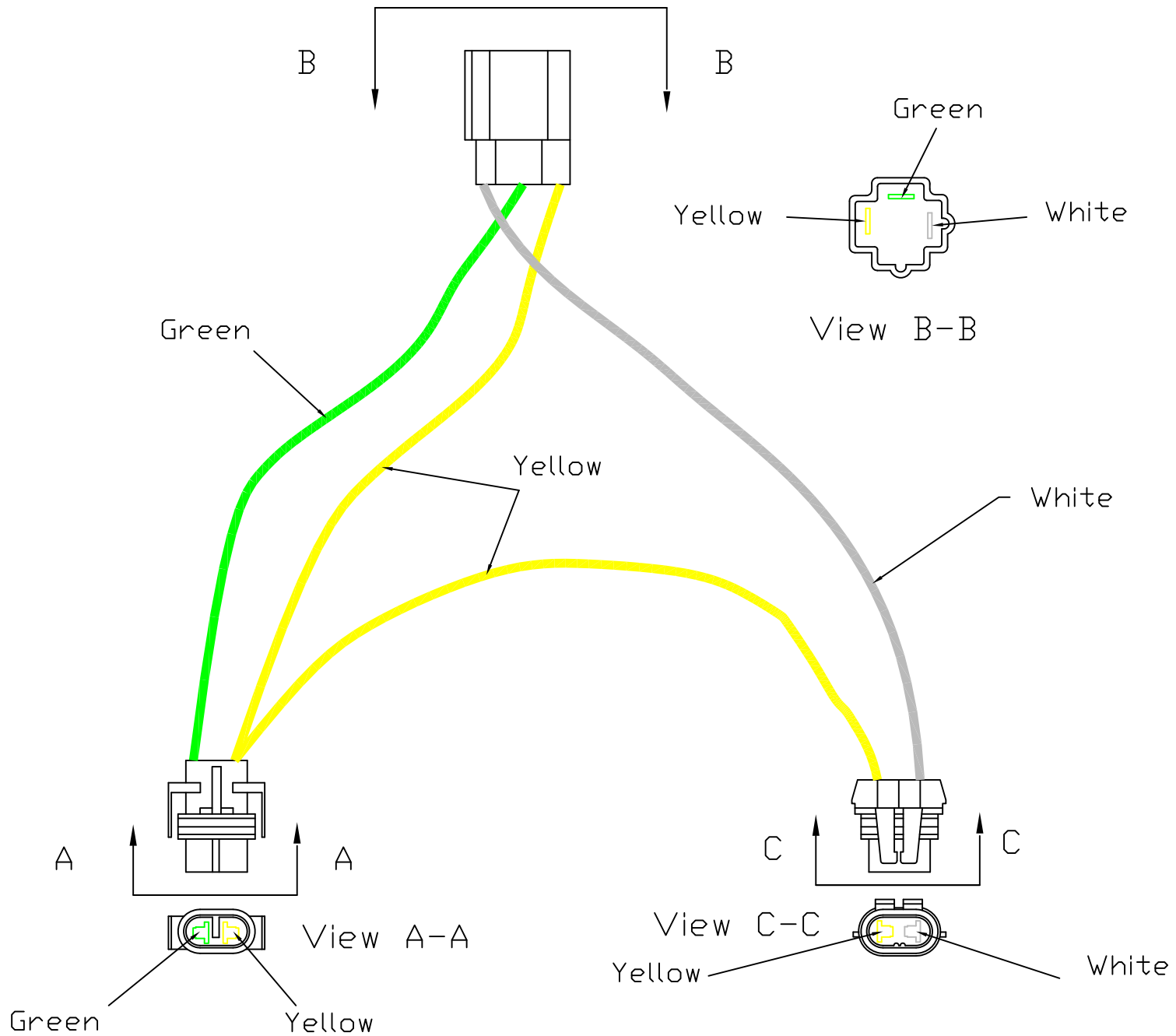


800042 conversion kit for 800037

For use on trucks with composite four-bulb headlight system employing H9005/H11 halogen bulbs.

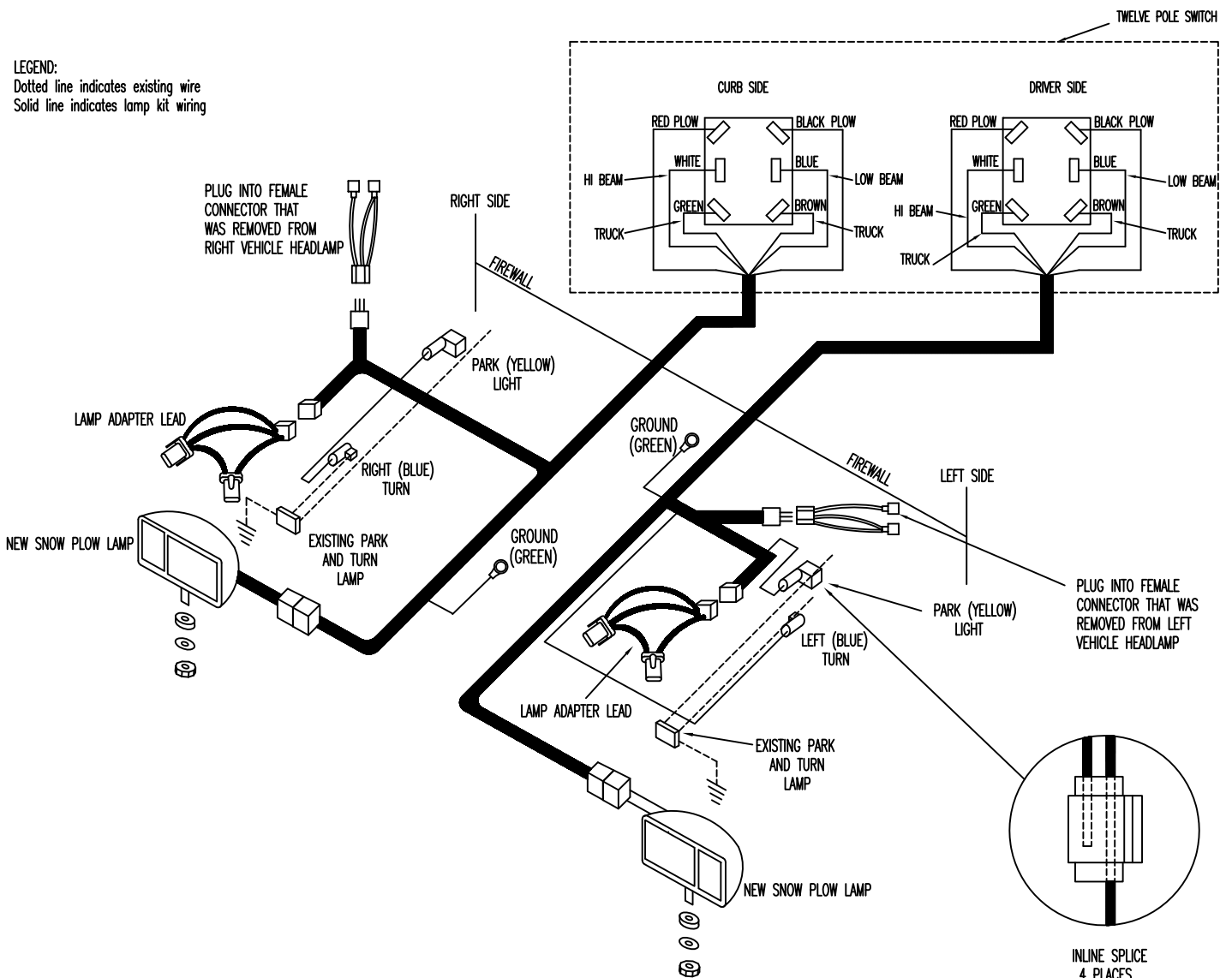






INSTALLATION AND OPERATING INSTRUCTIONS FOR SNOWPLOW LAMP NO. 800037 WITH CONVERSION KIT NO. 800042

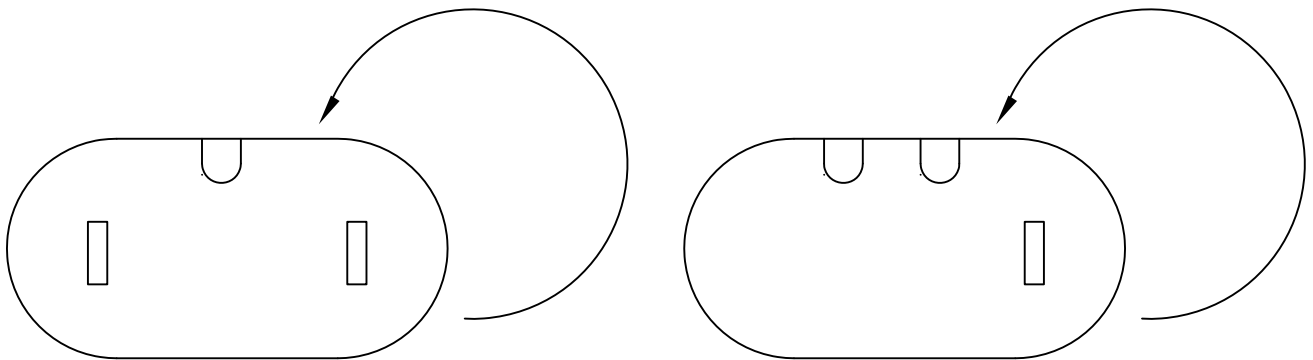
- Lamps should be mounted in the desired location on the snowplow frame ensuring that the snow plow lamp beams are not obstructed by any portion of the plow or vehicle.
- WIRING INSTALLATION - Refer to diagram**
 NOTE: Prior to lamp/harness assembly, please apply provided lithium grease to snowplow lamp plugs on under hood harness, ensuring all connections are thoroughly covered.
 NOTE: Neglecting to grease plugs will drastically reduce operating life of plow lamps/harness and will void manufacturers warranty.
 - Plug lamp adapter leads from conversion kit 800042 into sealed beam connectors on AEM wiring harnesses (800029).
 - Plug lamp adapter leads in to existing vehicle's head lamp ensuring correct high and low sealed beam connections (sealed beam No. H9005 and H9006).
 - Connect harness power connection (supplied in conversion kit AEM # 800042) to 3 prong plug on AEM wiring harness (right hand and left hand sides).
 - Plug harness power connections into female connectors which were removed from the left hand side vehicle head lamps, i.e.; into vehicle wiring harness. Ensure correct high and low beam harness connections. Repeat for right hand side.
 - Referring to wiring diagram, complete wiring connections of turn signal and parking lights to vehicle's electrical lighting system using Quick-Splice connectors included in bagged parts.
 - Drill a $\frac{9}{16}$ " diameter hole in the firewall at the most convenient location. Insert rubber grommet in the drilled hole to protect wire insulation.
 - Pull AEM wire harness through firewall from the engine compartment into the cab.
 - Referring to wiring diagram, connect 6 female tab connectors on end of each harness to toggle switch.
 - Select suitable location on dash to mount the toggle switch and drill a $\frac{15}{32}$ " diameter hole through the dashboard.
 - Apply switch identification label to dash by removing protective backing from label and pressing label over switch hole. Make sure switch is positioned with respect to label so that snowplow lamps are "ON" when switch toggle is in the upper position.
 - Remove knurled nut from the toggle switch; insert switch through the drilled hole and reinstall the knurled nut. Tighten nut securely.
- Check for proper operation. Turn on headlight switch and check that with toggle switch in lower position, only the vehicle head lamps are on. With toggle switch in upper position, only the snowplow head lamps should be on. Dimmer switch should select high and low beams on both head lamps. Turn signal lamps should be on in same sequence and at same time as vehicle turn signal lamps. Parking lamps should be on at same time as vehicle parking lamps. If any lamp does not operate correctly, recheck wiring against diagram and make necessary corrections in wiring hookup. Adjust the plow lamp beams to project the same distance ahead of the vehicle as compared to the original headlights.
- Installer of these snowplow lamps must certify that installation conforms to applicable Federal Motor Vehicle Safety Standards.



AEM

ELECTRIC COMPANY

FOR 2007+ CHEVROLET SILVERADO,
INVERT THE TWO HEADLIGHT
HARNESS ADAPTERS WHERE THEY
PLUG INTO THE OEM HARNESS.



THE SOFT RUBBER PLUG ON THE
HEADLIGHT ADAPTER HARNESS
WILL ALLOW IT TO BE INSERTED
INTO THE OEM HARNESS "UPSIDE
DOWN."

FOR 2007+ GMC SIERRA MODELS
ALIGN PLUGS PROPERLY.